

INSTALLATION INSTRUCTIONS

RMGATE RACK MOUNT ADAPTER FOR THE GATEKEEP-IR™

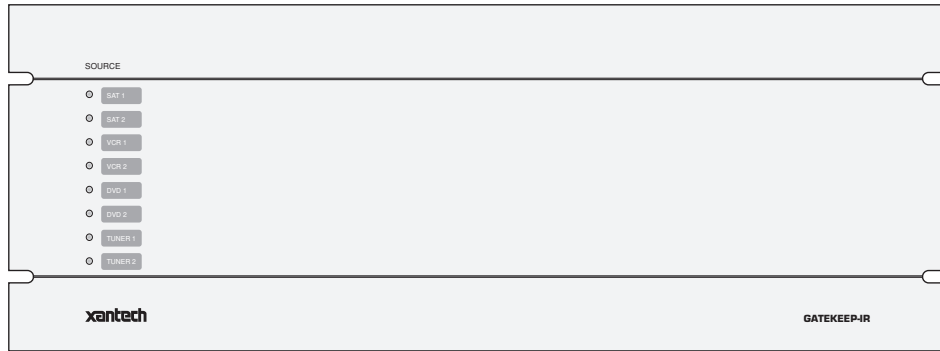


Fig. 1 The RMGATE, Front View

The RMGATE provides a convenient means for mounting the GATEKEEP-IR™ GMB9 assembly into a standard 19 inch rack. It incorporates eight STATUS LED's that indicate a components ON/OFF condition. The black anodized panel is a standard 7.00 inch increment height and is 3/16" thick. Install the panel as follows:

1. Mount the GMB9 to the rear of the RMGATE. Refer to Fig. 2 below. Use the hardware that comes with the GMB9 and the RMGATE.
2. Plug the 3.5-to-3.5mm Mono Mini Plug cables (supplied) between the STATUS jack of each gate module to the corresponding STATUS GATE IN jack on the RMGATE as shown (Fig. 2). That is, connect Gate 1 (slot #1) to GATE IN 1, Gate 2 (slot #2) to GATE IN 2, etc. Use the longer 18" cables for the 4 gates to the left and the 12" cables for the remainder.

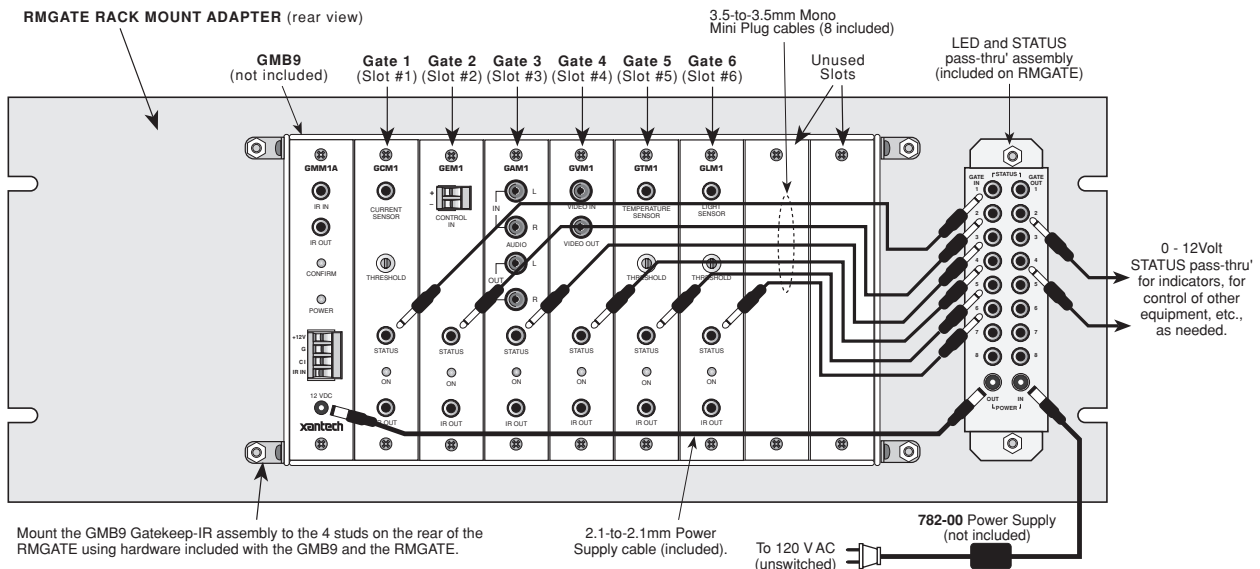


Fig. 2 A GMB9 Gatekeep-IR™ Assembly Mounted to the Rear Surface of the RMGATE Rack Panel

3. Plug the 2.1 to 2.1mm Power Supply cable (supplied), into the 12 VDC jack on the GMM1A and the POWER OUT jack on the RMGATE, as shown.
4. Peel off the supplied Icon Labels (refer to **Fig. 3**) that correspond to the controlled equipment and place them on the appropriate recessed locations opposite the LED's on the front panel.
5. Mount the completed assembly into a 19" rack using the rack panel cup washers and screws supplied.
6. When you have finished all other connections, plug a 782-00 Power Supply into the POWER IN jack on the RMGATE (see **Fig. 2**).

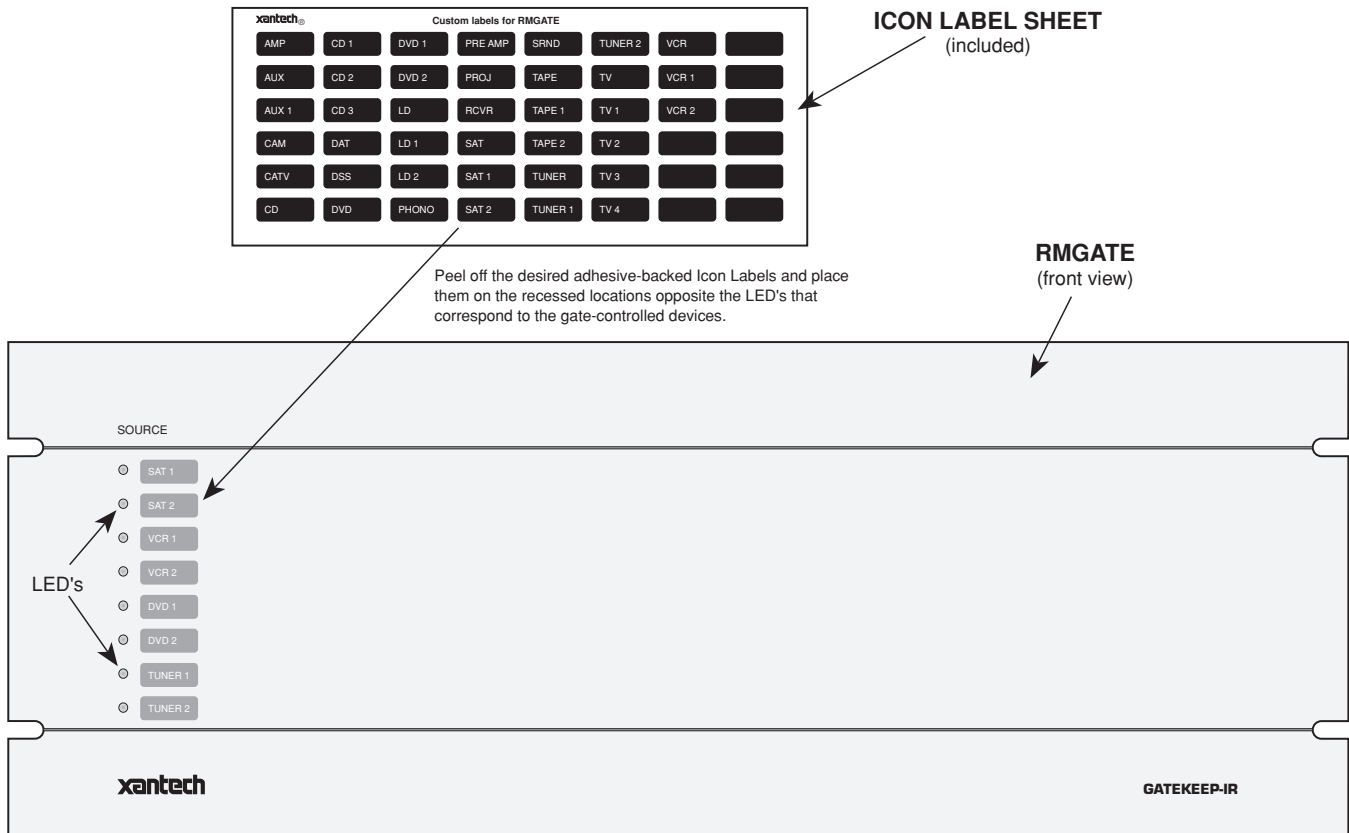


Fig. 3 Applying the Icon Labels to the front of the RMGATE Rack Panel