



MODEL  
**283TP**  
**BLINK-IR™ Mouse Emitter, Twin Plug**

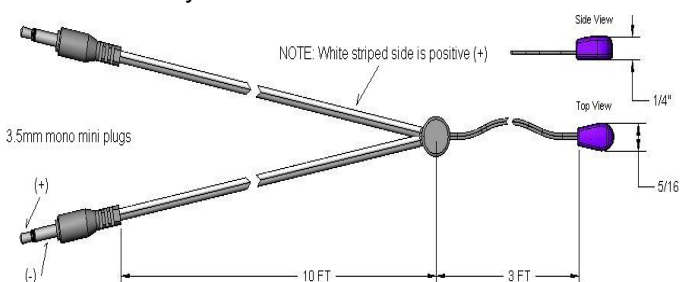
**INSTALLATION INSTRUCTIONS**



**DESCRIPTION**

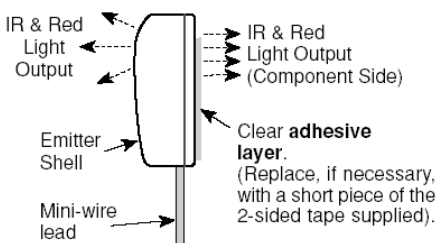
The 283TP "Twin-Plug" Blink Emitter is based on Xantech's standard 283M Blink-IR Mouse emitter with two 3.5mm Mono-Mini plugs each with 'diode' isolation. The twin plug feature allows a single emitter to be shared by two IR sources. For instance, one mouse emitter can now be connected to both an IR receiver and a Xantech Multi-Zone Controller without having to place two emitters on the front of the IR Controllable component.

Internally, the 283TP contains components that are designed to keep the IR signal path directed towards the emitter only, allowing both control systems to be completely isolated. The plugs are gold plated to increase durability and connectivity.



**INSTALLATION**

- Each emitter has a clear adhesive layer on the bottom flat surface of the shell. The rounded side faces the user and emits visible light when a command is sent.
- Simply peel off the adhesive cover and affix the emitter to the center of the IR sensor side window on the controlled component's front panel.



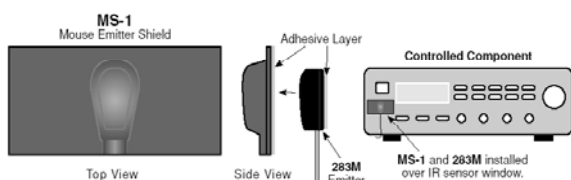
- In some cases it may be difficult to find the location of the IR sensor on the component. Consult the owner's manual of the unit, or the manufacturer, for the exact IR sensor window location.
- Double-sided adhesive tape is included. If you move the emitter to a different component, use this tape to replace the current adhesive layer for the best adhesion.
- The shell, though dark in appearance, is transparent to infrared light, allowing commands from a handheld remote control to pass through it. This permits direct control of the equipment from a handheld remote as well as from the 283TP.



13100 Telfair Ave. 2/F  
Sylmar, CA 91342  
www.xantech.com

## CONNECTING THE EMITTERS

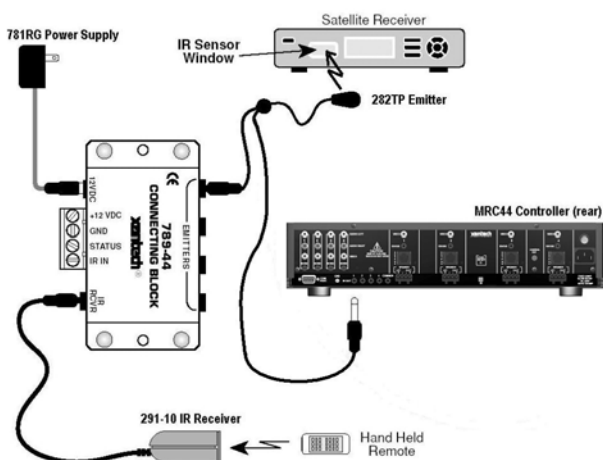
- Simply insert the mono mini plug of the 283TP emitter into the “EMITTERS” or “OUT” jacks on any of the Xantech Connecting Blocks or Controllers.
- **CAUTION: DO NOT plug emitters into the IN/OUT or HIGH OUT jacks on the 790-00 and 791-44 Connecting Blocks.** To do so will destroy the emitters!
- The 283TP visible mouse emitter will also indicate the presence of stray IR or RF interference by randomly blinking when no IR control signal is being sent. Reposition the IR receiver of the interfering source to eliminate or reduce the random blinking. The more the random blinking is reduced, the better the system will function.
- An **optional** shield, available from Xantech as model **MS-1**, fits over the emitter head and the sensor window of the controller component.



## INSTALLATION SETUP #1:

### Home Theater \ Multi-room Controller

The setup below shows two IR signals connected to a single source. This allows the source to be controlled from two areas. One mono plug goes to the connecting block. The other mono plug is connected to the MRC44 Controller.



## INSTALLATION SETUP #2:

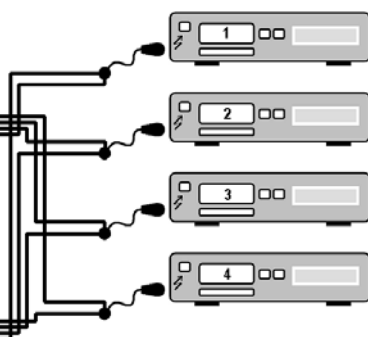
### Expanded Multi-room Controller

The setup below shows two MRAUDIO4X4 Controllers connected in Expansion mode. Expansion mode doubles the number of zones while using the same number of sources. The benefit of the 283TP is that you only need to place one emitter at each source. One mono plug is connected to the ‘master’ controller. The other mono plug is connected to the ‘slave’ controller. This application can apply to the entire product line of Xantech controllers.

MRAUDIO4X4CTL or BXAUDIO4X4CTL (master)



MRAUDIO4X4CTL or BXAUDIO4X4CTL (slave)



## Limited Warranty

Xantech® warrants its products to be free of defects in materials or workmanship. This warranty extends for one year from the date of purchase by the original consumer. Any products returned to Xantech and found to be defective by Xantech within the warranty period will be repaired or replaced, at Xantech's option, at no charge. Xantech will not be responsible for the actual cost of installation or removal of the product, nor for any incidental or consequential damages. Some states do not allow the exclusion or limitation of incidental or consequential damages, so the above limitation may not apply to you. This warranty gives you specific legal rights. You may have additional legal rights that vary from state to state.