

# BLOCK DIAGRAM

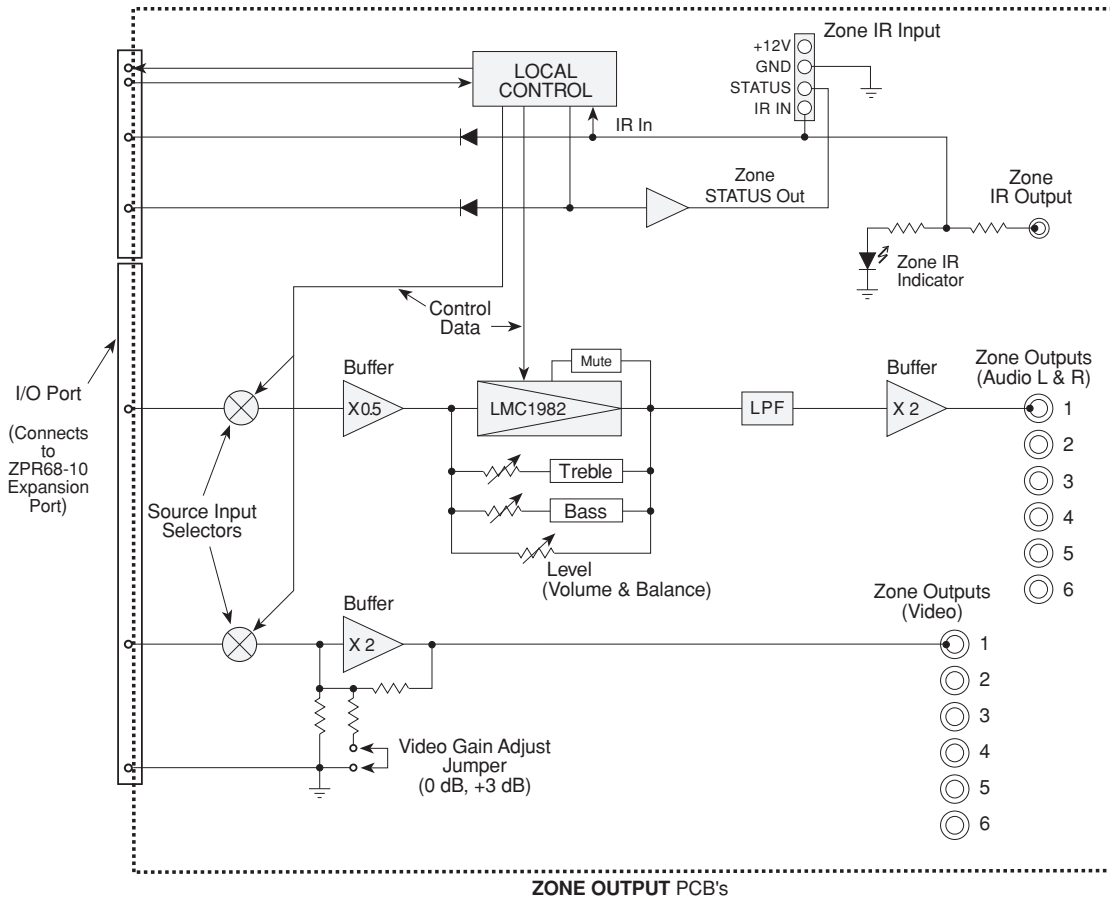


Fig 6.

## SPECIFICATIONS (With the EXP9 connected to a ZPR68-10)

### AUDIO (ea. channel)

Gain (@ max VC): .....	Unity
Input Overload: .....	> 4 V RMS (@ max VC)
Input Impedance: .....	> 40 k Ohms
Output Impedance: .....	470 Ohms
Signal to Noise: .....	96 dB (re 2V out)
THD: (VC -10 dB) .....	0.01% at 2V input level
Frequency Response ( $\pm 3$ dB): .....	5 Hz to 70 kHz
Bass Control Range (@ 100 Hz): .....	$\pm 12$ dB (in 2 dB steps)
Treble Control Range (@ 10 kHz): .....	$\pm 12$ dB (in 2 dB steps)

### VIDEO

Input/Output Impedance: .....	75 Ohms
Video Insertion Loss: .....	< 1.0 dB (50 Hz to 10 MHz)

### GENERAL

RC68 Code Group Number assigned to the EXP9 (each zone) .....	68
STATUS Output (each zone) .....	12 V @ 10 mA, 9 V @ 90 mA (90 mA is max. current)
Max. Total Current Available From +12V & STATUS Terminals .....	1.8 A
Power Requirements: .....	14V-0-14V AC @ 2.7 A, 8V-0-8V AC @ 0.7 A
(Multi-Voltage Power supply included)	
Gold Plated RCA type phono jacks .....	All A/V inputs/outputs
Dimensions: .....	14" W x 7" H x 2.5" D
Weight: .....	4 lbs, 3 oz.

Note: VC = Volume Control setting